

Material Lifts

Load Lifter™

Specifications

Model	Load Lifter	
Measurements	Metric	US
A Height - stowed	1.14 m	3 ft 9 in
Height - platform maximum	1.70 m	5 ft 7 in
B Length - stowed	38 cm	1 ft 3 in
Length - operating	81 cm	2 ft 8 in
C Width - stowed	52 cm	1 ft 8.5 in

Productivity

Load capacity	91 kg	200 lbs
D Load height minimum	5 cm	2 in
Ground clearance - center	2 cm	0.75 in
Average cranks - standard winch	3 cranks/30 cm	3 cranks/ft
E Load platform length	36 cm	1 ft 2 in
F Load platform width	43 cm	1 ft 4.75 in
Front swivel casters, solid non-marking	5 cm diam.	2 in diam.
Back wheels, solid non-marking	20 cm diam.	8 in diam.

Power

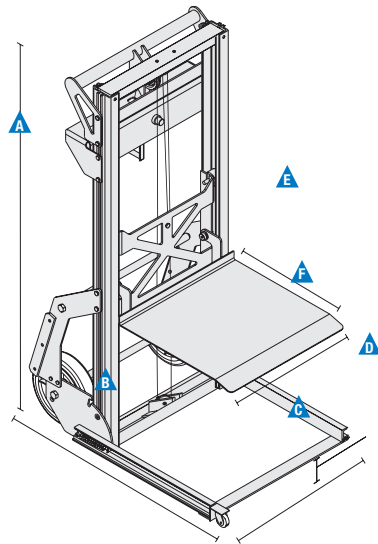
Power source	reversible standard winch
--------------	---------------------------

Weight

Standard	26 kg	58 lbs
----------	-------	--------

Standards Compliance

EU Directive: 2006/42/EC (Machinery)



Features

Standard Features

Measurements

- 1.70 m (5 ft 7 in) lifting height
- Up to 91 kg (200 lbs) load capacity

Productivity

- Portable and compact design
- Lightweight durable aluminum construction
- High strength aircraft quality cable
- Cushioned neoprene hand grip
- Beveled aluminum platform for easy loading and unloading
- Portable - folds for compact storage
- Stair glides for easy handling on stairs
- Hold-down mechanism secures for transport

Power

- Standard quiet high-speed winch
- Reversible winch handle for easy storage

Easily Configured To Meet Your Needs

Platform

- Bevelled aluminium load platform

Power

- Standard winch

Base

- Standard base

Wheel / Caster Options

- 20 cm (8 in) non-marking rear wheels (standard)
- Pneumatic 20 cm (8 in) rear wheels for rough terrain
- 5 cm (2 in) non-marking front swivel casters (standard)

Options & Accessories

Productivity

- Field-installable foot break
- Pneumatic 20 cm (8 in) rear wheels for rough terrain
- 5 cm (2 in) non-marking front swivel casters



HDW Nederland B.V.
www.hdwnl.com

Worldwide Manufacturing And Distribution

Australia · Brazil · Caribbean · Central America · China · France · Germany · Italy · Japan · Korea · Mexico · Russia · Southeast Asia · Spain · Sweden · United Arab Emirates · United Kingdom · United States

Product specifications and prices are subject to change without notice or obligation. The photographs and/or drawings in this document are for illustrative purposes only. Refer to the appropriate Operator's Manual for instructions on the proper use of this equipment. Failure to follow the appropriate Operator's Manual when using our equipment or to otherwise act irresponsibly may result in serious injury or death. The only warranty applicable to our equipment is the standard written warranty applicable to the particular product and sale and we make no other warranty, express or implied. Products and services listed may be trademarks, service marks or trade names of Terex Corporation and/or their subsidiaries in the USA and many other countries. Genie is a registered trademark of Terex South Dakota, Inc. © 2020 Terex Corporation.